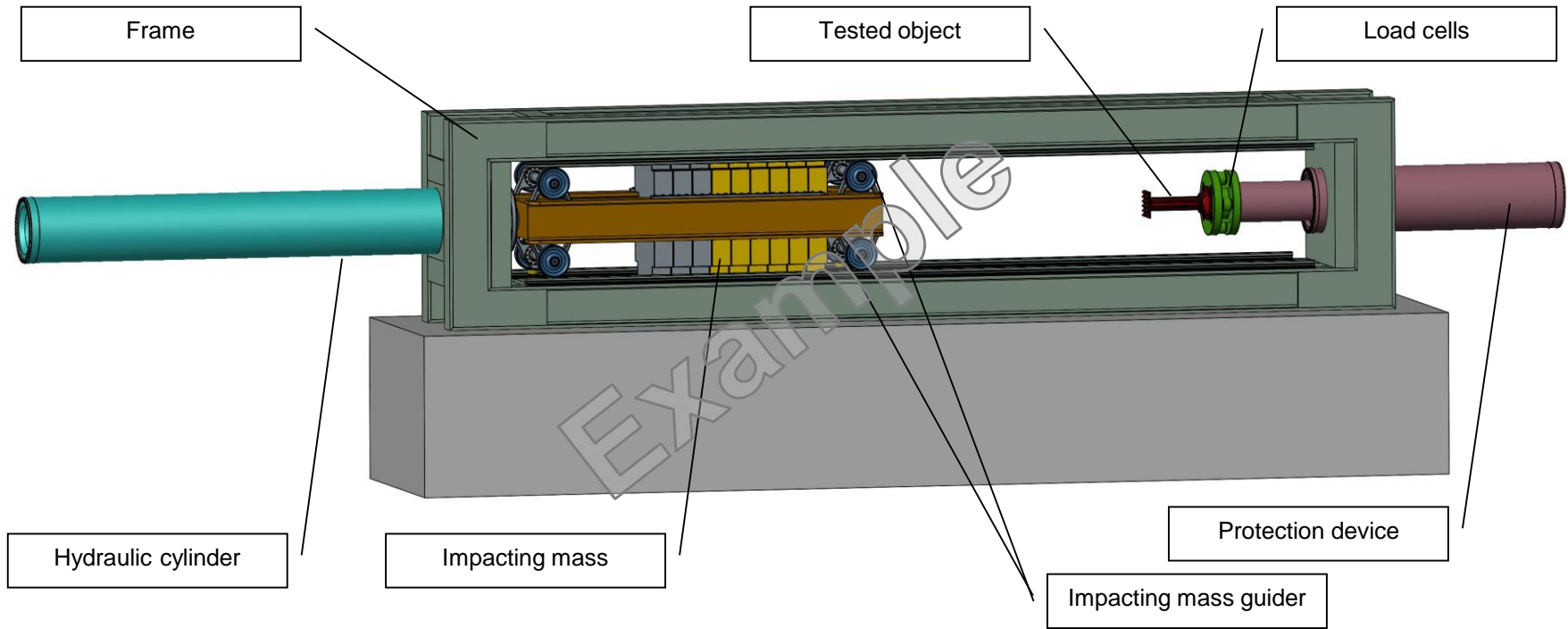


Dynamic Test Center

Dynamic stand - example



Test object – Crash elements

Before crash

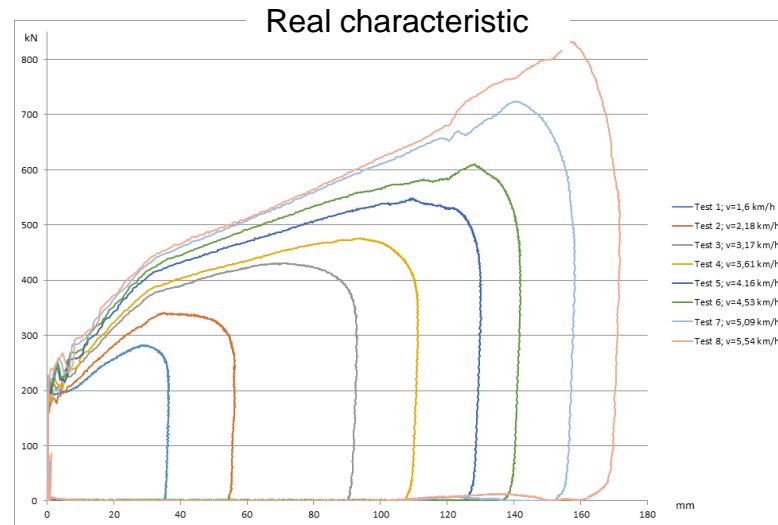
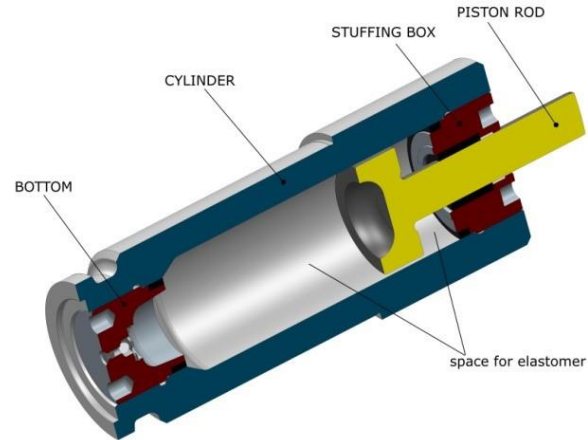


After crash



More details: <http://axtone.eu/know-how/>

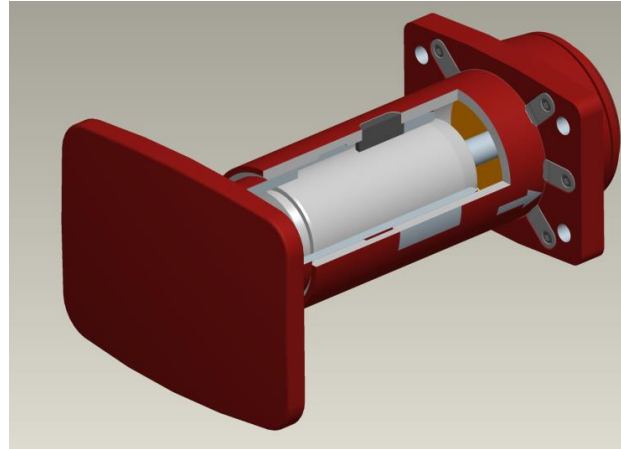
Test object - Hydraulic absorbers



Test object - Crash buffer

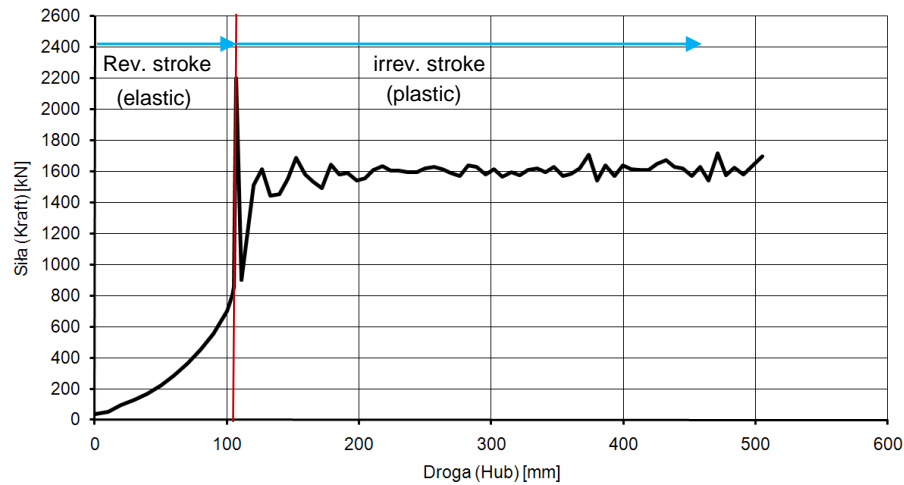


Before crash



After crash

Real characteristic



Thank you

you are invited to visit

www.axtone.eu